



HDF

TNR DELIVERS SPEED - EFFICIENCY - AFFORDABILITY - VERSATILITY

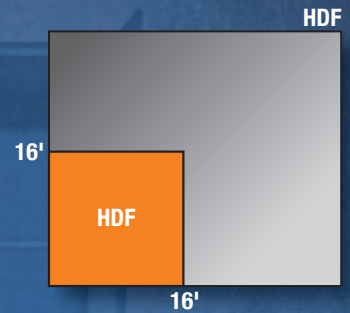
High Performance **SPRINGLESS FABRIC DOORS** are best suited for high traffic applications.
Low operating costs with virtually no maintenance costs.



**High performance, high speed, high impact doors
for your challenging environments.**

visit us online at www.tnrdoors.com

HDF

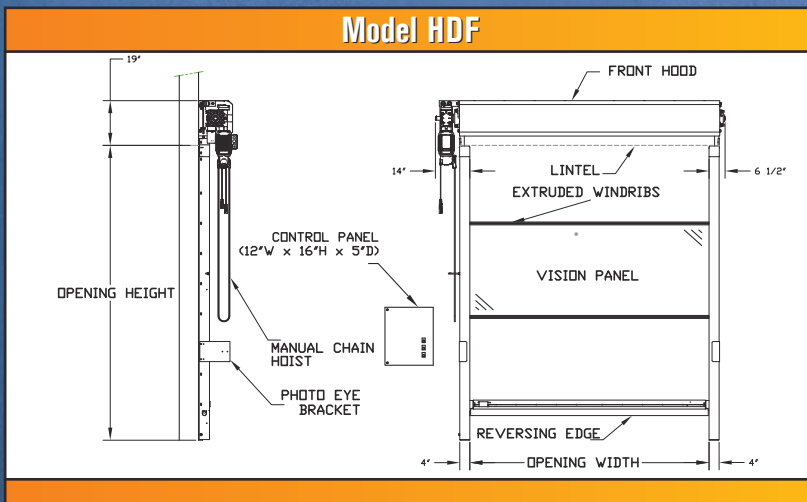
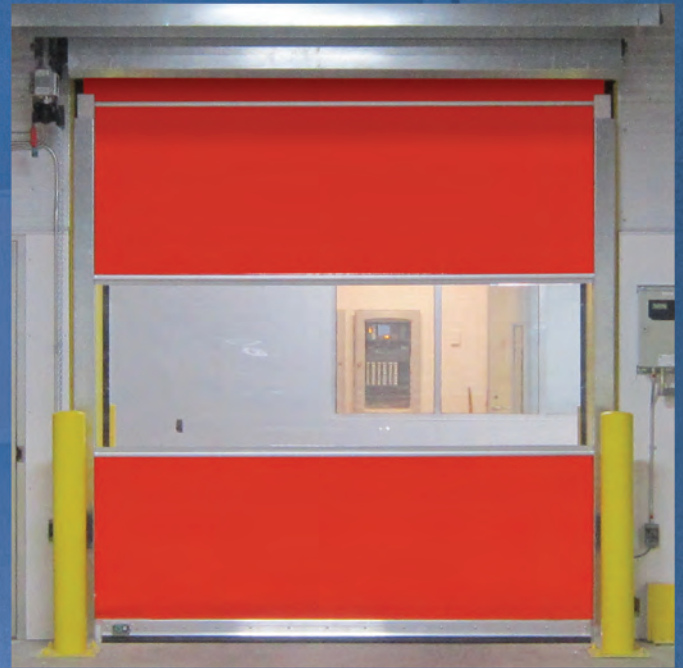


TNR[®] Mechanical Components

- Polyester Woven Material. Flexible and resistant to abusive environments and impacts.
- Designed for ease of installation and performance stability.
- Impactable: Bottom bar is designed to release upon impact with auto reset. Eliminates downtime.
- Sleek profile with easy installation, reduced clearance and minimal maintenance.
- No hinges, cables, pulleys or counterbalance springs.
- High speed operation conserves energy and reduces climate fluctuations.
- Wireless reversing edge and thru-beam photo eyes.
- Standard full-width window panels provide excellent visibility.
- Full perimeter weather seal to minimize air infiltration.
- Standard panel ribs provide resistance to positive and negative air pressure.
- Optional full vision or full fabric.
- Fabric available in blue, orange or red.

TNR[®] Built to your needs Drive Systems

- High speed operator to provide quick, quiet, reliable operation.
- Door Speed: Up to 60 inches per second.
- Leading edge technology controller with integrated frequency converter.
- Smooth start - fast opening - smooth deceleration increases efficiency that extends product life.
- Can be quickly programmed and customized to handle access controls and specialty functions.



		HDF
Opening speed:	Measured inches per second (up to)	60
Door size:	16' x 16'	■
Type of balancing:	None	■
Reversing edge:	Pressure sensitive air-wave edge	■
Control panel:	Self Diagnostic, Inverter Drive soft start, soft stop	■
Activation:	Remotes, pull cords, loop detectors, etc.	■
Warranty:	Two years on parts and workmanship	■

TNR INDUSTRIAL DOORS
GOING THE DISTANCE - IMPACTING THE WORLD