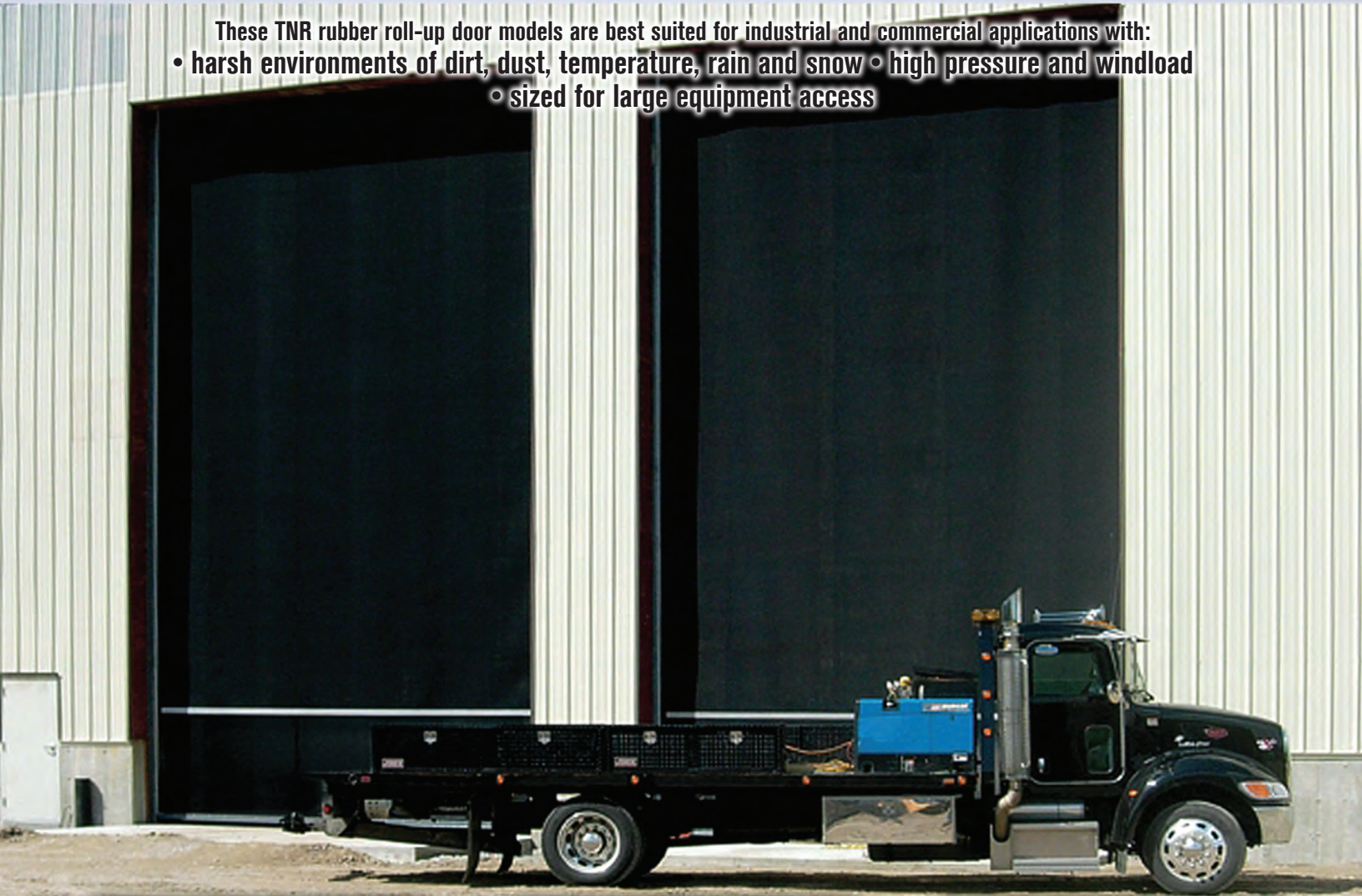


# HDL

**TNR OFFERS RUGGED DURABILITY AND HIGH PERFORMANCE DRIVE SYSTEMS FOR LARGE DOOR SIZES.**

These TNR rubber roll-up door models are best suited for industrial and commercial applications with:

- harsh environments of dirt, dust, temperature, rain and snow
- high pressure and windload
- sized for large equipment access



**High performance, high speed  
for your challenging environments.**

visit us online at [www.tnrdoors.com](http://www.tnrdoors.com)

# HDL

**HDL: HEAVY DUTY LARGE**

**TNR® leads the way with High Performance, Rugged Roll-up Doors for large openings**

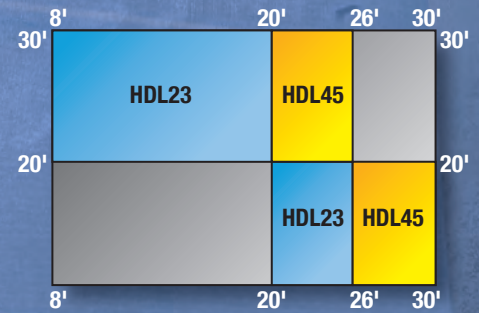
Big equipment needs big access openings. TNR® has the Engineering and Field Experience that assures the "Built To Your Needs" attention delivering peace of mind in applications of: heavy manufacturing, steel, pulp & paper, waste management, oil & gas and mining.

**TNR® Mechanical Components**

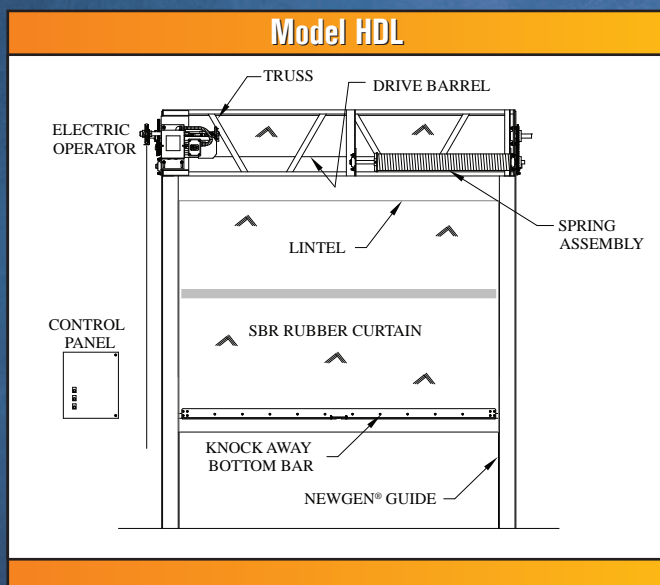
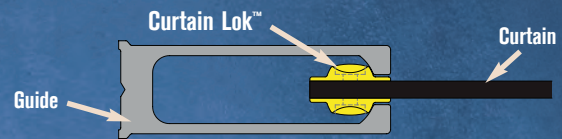
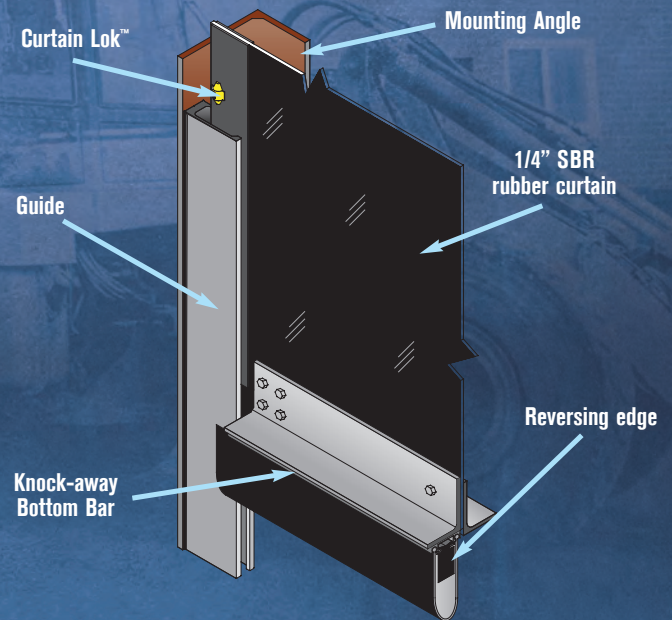
- 1/4" Black SBR rubber with polyester core weave. Flexible and resistant to abusive environments in temperatures from -40°F to +180°F.
- Patented NEWGEN® guide and Curtain Lok™ system. Reliable and consistent door operation. No guide gap maintenance required.
- Bottom bar with rubber loop.
- Sleek profile with easy installation, reduced clearances & minimal maintenance.
- No hinges, cables, pulleys or tension springs.
- Frame mounted thru-beam photoelectric sensor.
- Options: colors, windows, hoods, reversing edge, traveling windbar and MSHA-rated self-extinguishing curtains.

**TNR® Built to your needs Drive Systems**

- High Efficiency Helical Gear Head (HG) Operator with multi-function capacity PLC Control Panel.
- Door Speed: up to 20 inches per second (HDL23); up to 18 inches per second (HDL45).
- Options: access controls and speciality functions.



**NEWGEN® Guide and Curtain Lok™ system**



		HDL23	HDL45
Opening speed:	Up to (inches per second)	20	18
Door sizes:	See chart above	■	■
Max wind resistance:	88mph (20psf)	■	■
Type of balancing:	Counterbalance spring assembly cycle rating (,000)	50	50
Type of curtain:	1/4" Black SBR rubber with polyester core weave	■	■
Reversing edge:	Pressure sensitive air-wave edge	■	■
Control panel:	PLC or relay logic	■	■
Activation:	Remotes, pull cords, loop detectors, etc.	■	■
Self Supporting Steel Frame:	Steel Mounting Angle	■	■
Warranty:	Two years on parts and workmanship. Limited lifetime warranty on curtain and NEWGEN® Guide.	■	■