



# HDT/HDS

**TNR COMBINES RUGGED DURABILITY WITH HIGH PERFORMANCE DRIVE SYSTEMS.**

These TNR rubber roll-up door models are best suited for industrial and commercial applications with:

- harsh environments of dirt, dust, temperature, rain and snow
- high pressure and windload
- door impact concerns
- high traffic and continual process flow demands



**High performance, high speed, high impact doors  
for your challenging environments.**

visit us online at [www.tnrdoors.com](http://www.tnrdoors.com)

# HDT/HDS

**HDT: HEAVY DUTY TRAFFIC HDS: HEAVY DUTY SPEED**

## TNR® rubber roll-up doors that have get up and go performance

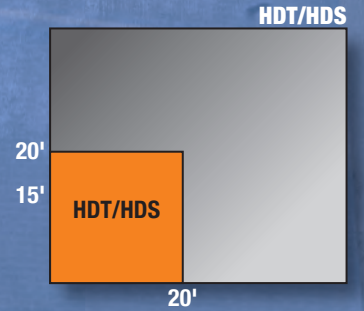
Peace of mind with maximum uptime in your fast pace, non-stop rugged workplace. Process and Maintenance Engineers recognize the value of TNR's proven indestructibility and endurance qualities combined with high speed performance. Repeat Customers are: manufacturing, food processing, automotive, bus transit stations, parking garages, postal, airports and railways.

### TNR® Mechanical Components

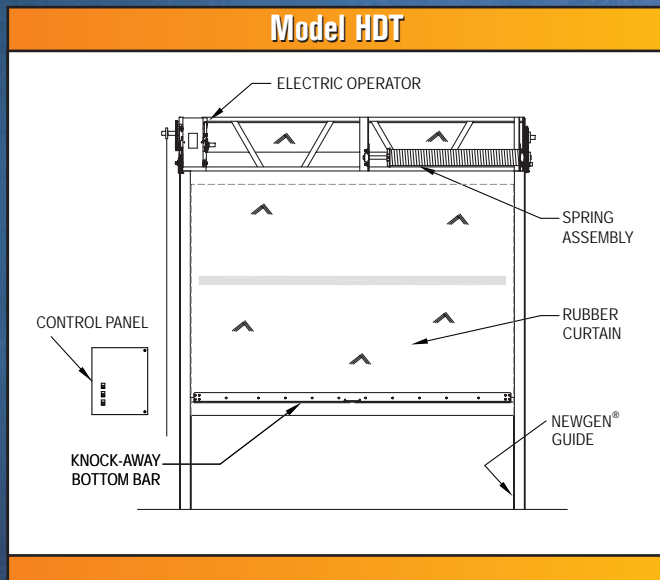
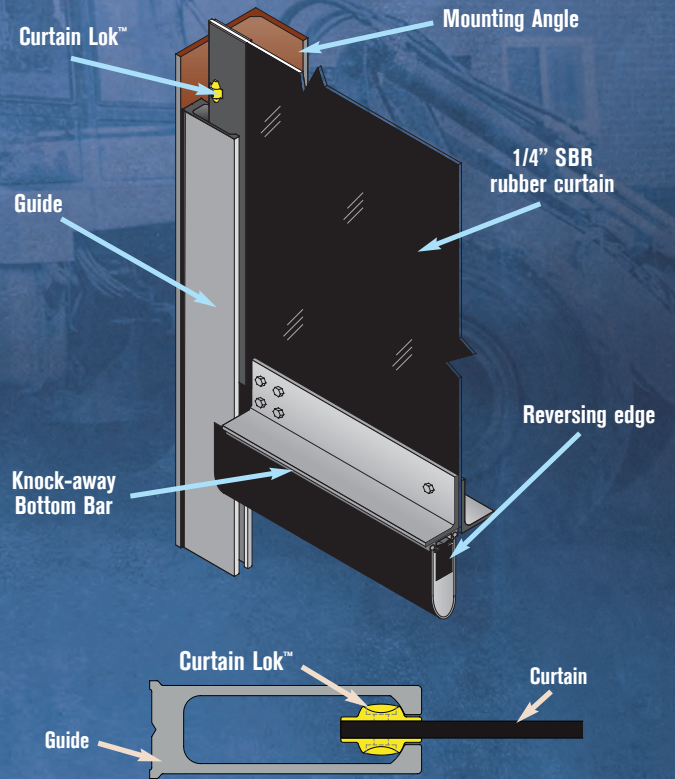
- 1/4" Black SBR rubber with polyester core weave. Flexible and resistant to abusive environments and impacts in temperatures from -40°F to +180°F.
- Patented NEWGEN® guide and Curtain Lok™ system. Reliable and consistent door operation and impact release performance. No guide gap maintenance required.
- Impactable: After impact, the door is up and running in minutes.
- Knock-away double angle steel bottom bar with rubber loop and reversing edge.
- Sleek profile with easy installation, reduced clearances & minimal maintenance.
- No hinges, cables, pulleys or tension springs.
- Self-supporting steel frame.
- Frame mounted thru-beam photoelectric sensor.
- Options: colors, windows, hoods, traveling windbar and MSHA-rated self-extinguishing curtains.

### TNR® Built to your needs Drive Systems

- High Efficiency Helical Gear Head (HG) Operator with multi-function capacity PLC
- Door Speed: up to 60 inches per second (Model HDS)
- Options: access controls and speciality functions



### NEWGEN® Guide and Curtain Lok™ system



		HDT	HDS
Opening speed:	Measured in inches per second	30	60
Door sizes:	See chart above	■	■
Type of balancing:	Counterbalance spring assembly cycle rating (,000)	100	100
Type of curtain:	1/4" Black SBR rubber with polyester core weave	■	■
Reversing edge:	Pressure sensitive air-wave edge	■	■
Control panel:	PLC	■	■
	Relay Logic	■	
Inverted Drive:	Soft start and soft stop		■
Activation:	Remotes, pull cords, loop detectors, etc.	■	■
Self Supporting Steel Frame:	Steel Mounting Angle	■	■
Warranty:	Two years on parts and workmanship. Limited lifetime warranty on curtain and NEWGEN® Guide.	■	■